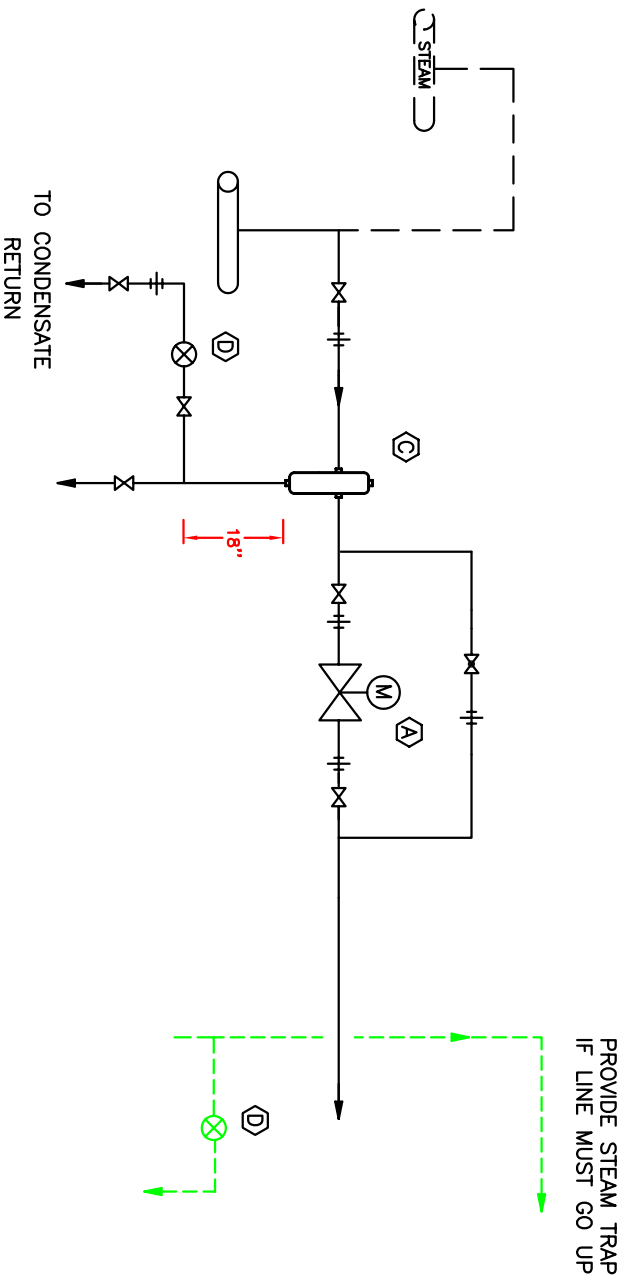
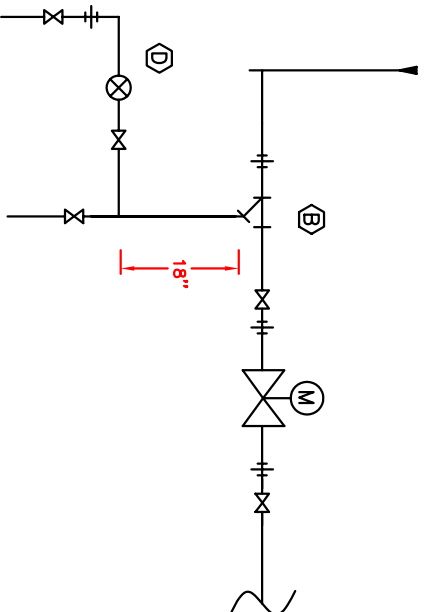


OPTIMUM CHOICE WITH SEPARATOR



OPTIONAL CHOICE WITHOUT SEPARATOR

REMARK: THIS SOLUTION DOESN'T ELIMINATE THE DROPLETS OF WATER IN STEAM



ITEMS

- A CONTROL VALVE
- B STRAINER
- C SEPARATOR
- D STEAM TRAP WITH STRAINER

NB:
THE SEPARATOR REMOVES 99% OF DROPLETS AND PARTICLES, EXTEND LIFE OF THE CONTROL VALVES

NOTE:
1. SAME DIAMETER AS THE OUTLET OF THE EQUIPMENT
2. SAME DIAMETER AS THE OUTLET OF THE EQUIPMENT AND NON INSULATED

CUSTOMER:

PROJECT:

TITRE:

TO PROTECT A CONTROL VALVE

| | | | |
|----------|------------|----------|--|
| DWG.NO.: | M.T.-01-A | REV.NO.: | |
| DATE: | 02-12-2004 | | |

