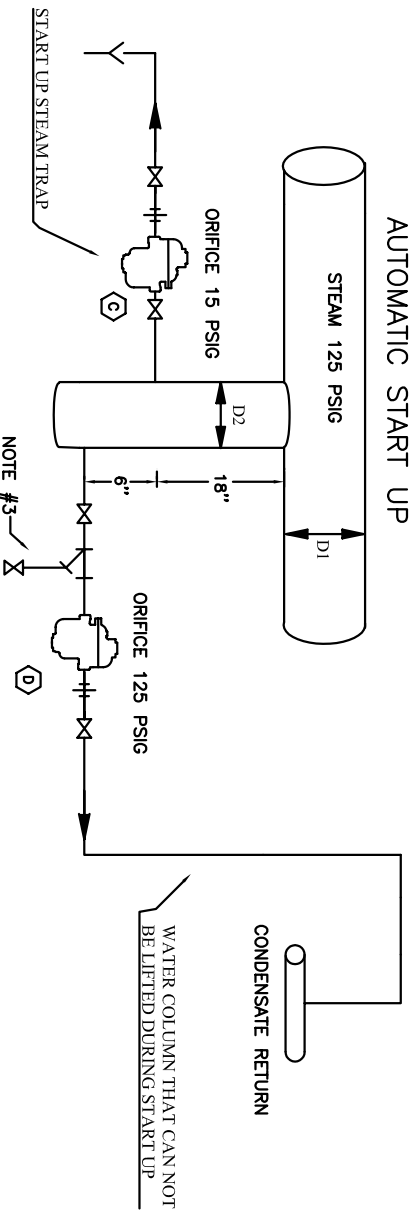
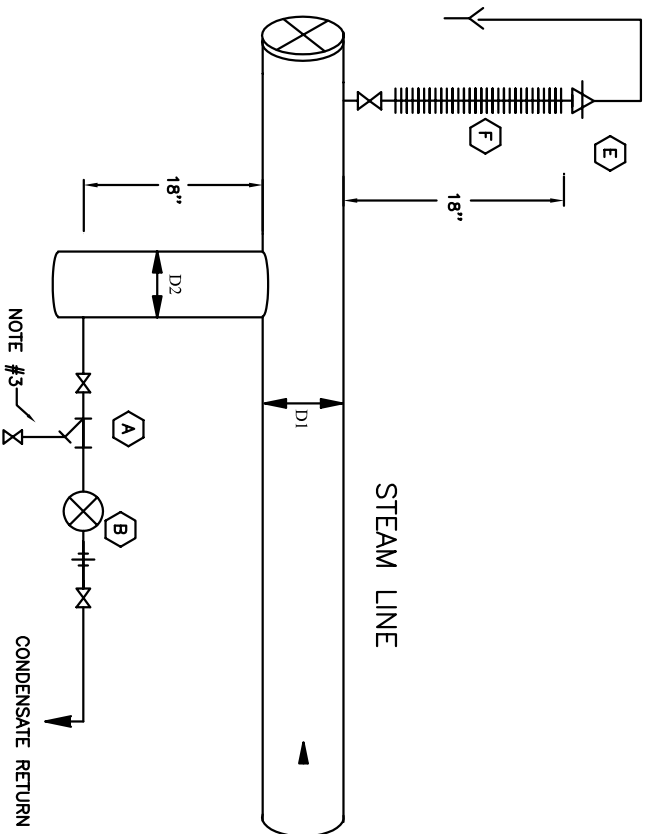


ITEMS

- A) STRAINER WITH VALVE
- B) STEAM TRAP
- C) INVERTED BUCKET STEAM TRAP ORIFICE 15 PSIG
- D) INVERTED BUCKET STEAM TRAP ORIFICE 125 PSIG
- E) AUTOMATIC AIR VENT
- F) MAX-THERM COOLER

D1	D2
3/4"	3/4"
1"	1"
1" 1/2	1" 1/2
2"	2"
3"	3"
4"	4"
6"	4"
8"	4"
10"	6"
12"	6"
14"	8"



IF THE RETURN CANNOT BE BY GRAVITY, PROVIDE THE RETURN WITH THE HELP OF A PUMP OR INSTALL A SAFETY DRAIN. REFERENCE DRAWINGS M.T.-4,13,14 & 16

- NOTE: 1. SAME DIAMETER AS THE OUTLET OF THE EQUIPMENT  
 2. SAME DIAMETER AS THE OUTLET OF THE EQUIPMENT AND NON INSULATED  
 3. DRAIN DURING SHUT DOWN

CUSTOMER:

PROJECT:

TITLE:

PROTECT STEAM MAIN

DWG.NO.:

M.T.-21-A

REV.NO.:

DATE:

13-12-2004

