

ITEMS

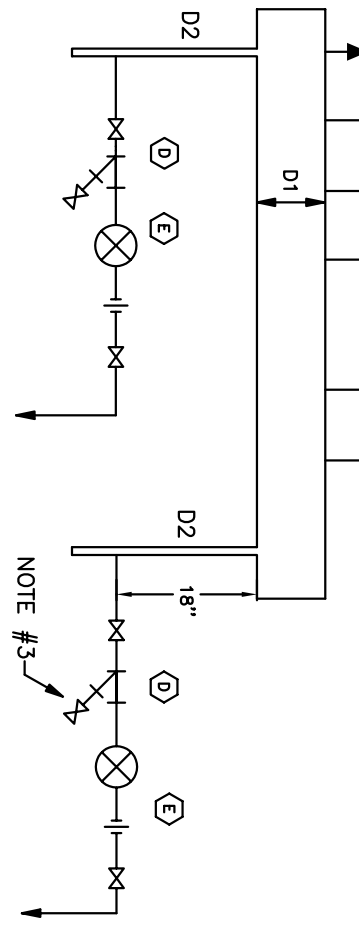
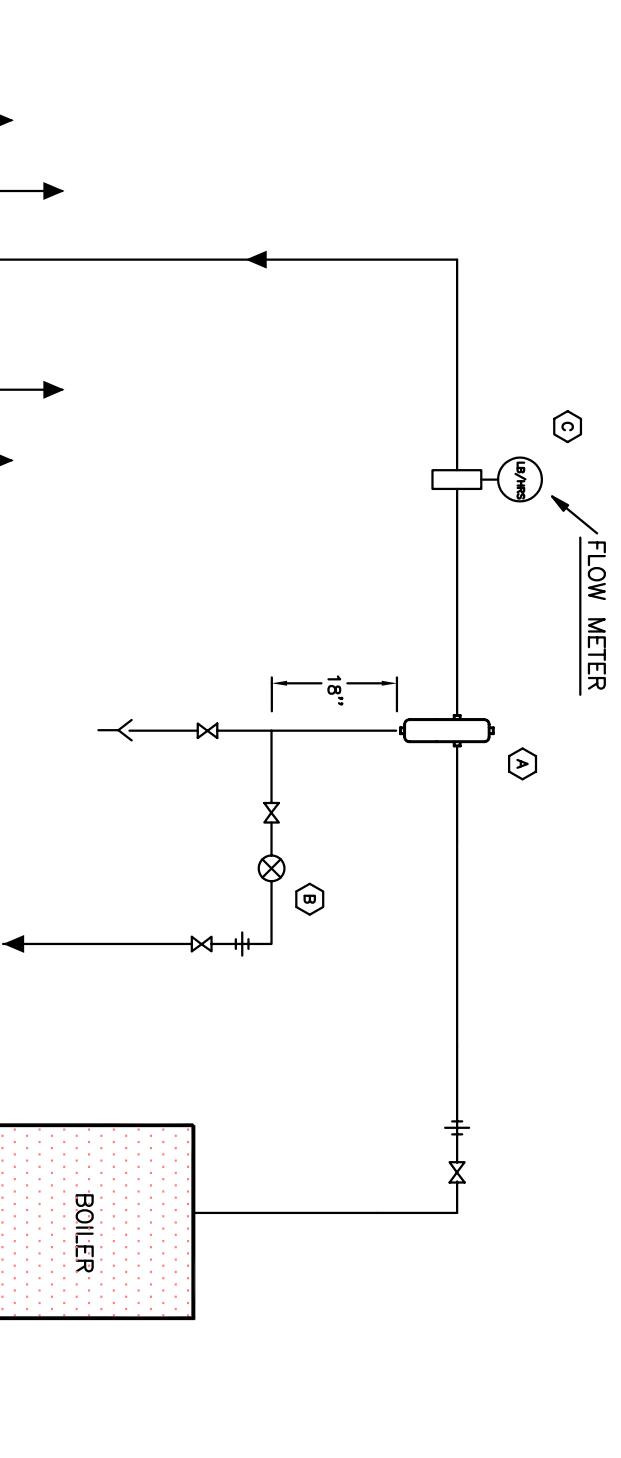
(A)	SEPARATOR
(B)	STEAM TRAP WITH STRAINER
(C)	FLOW METER
(D)	STRAINER WITH VALVE
(E)	STEAM TRAP

NOTE: 1. SAME DIAMETER AS THE OUTLET OF THE EQUIPMENT
 2. SAME DIAMETER AS THE OUTLET OF THE EQUIPMENT AND NON INSULATED
 3. DRAIN DURING SHUT DOWN

CUSTOMER:
 PROJECT:

TITLE: BOILER HEADER

DWG.NO.:	M.T.-24-A	REV.NO.:	
DATE:	13-12-2004		



D1= TWO TO THREE DIAMETERS BIGGER THAN THE TOTAL CAPACITY NORMALLY REQUIRED
 D2=SEE TABLE DRAWING F-21