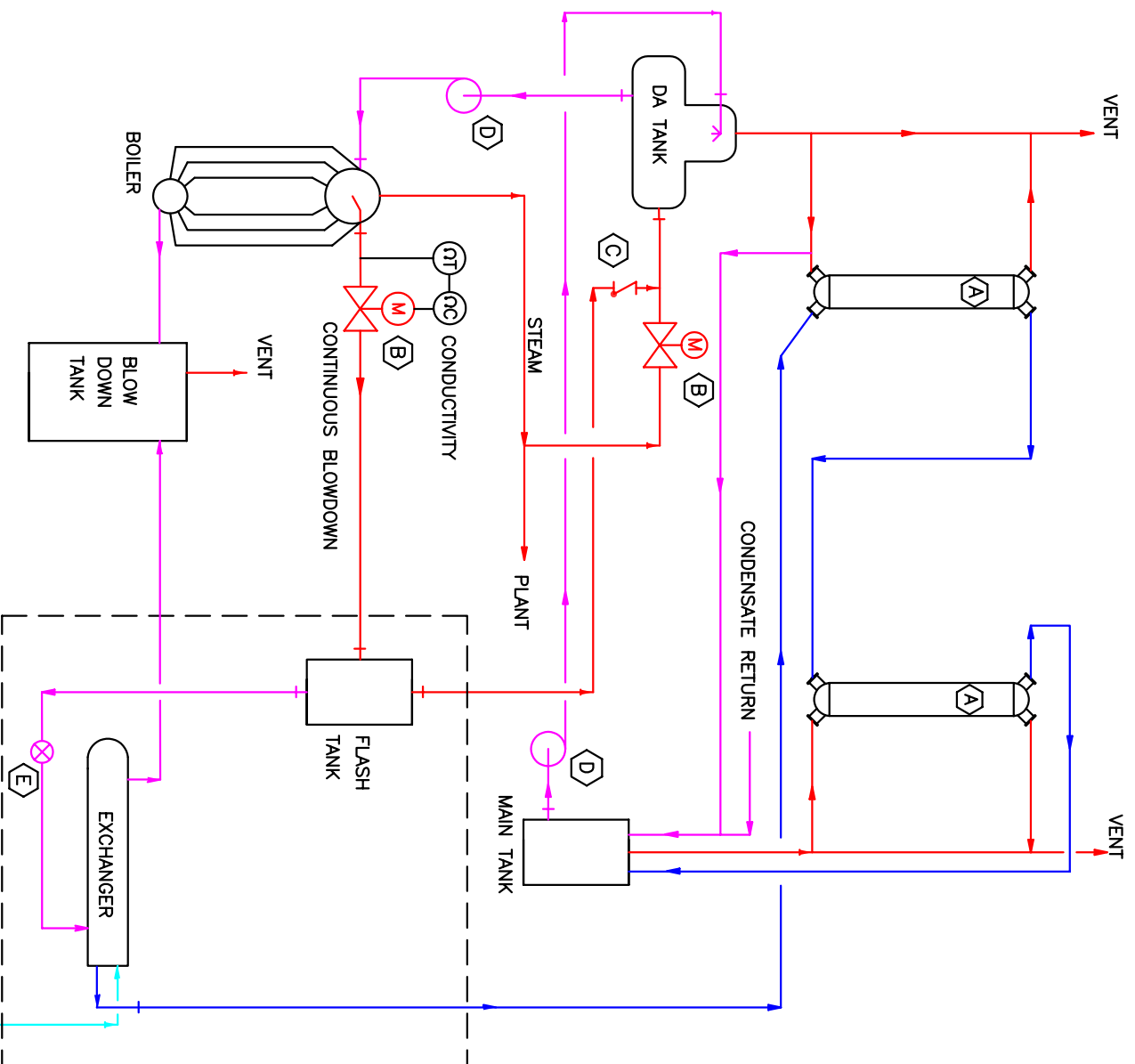


ITEMS

- (A) STAINLESS STEEL HEAT EXCHANGER
- (B) CONTROL VALVE
- (C) CHECK VALVE
- (D) PUMP
- (E) STEAM TRAP



NOTE:

CUSTOMER:

PROJECT:

TITLE:  
ENERGY RECOVERY OF BLOWDOWN  
CONDENSATE AND FLASH STEAM

DWG.NO.:

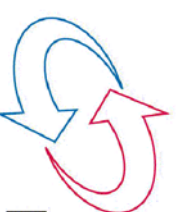
M.T.-25-A

REV.NO.:

01

DATE:

15.12.2004



**MAXI THERM**  
maxi-therm.net