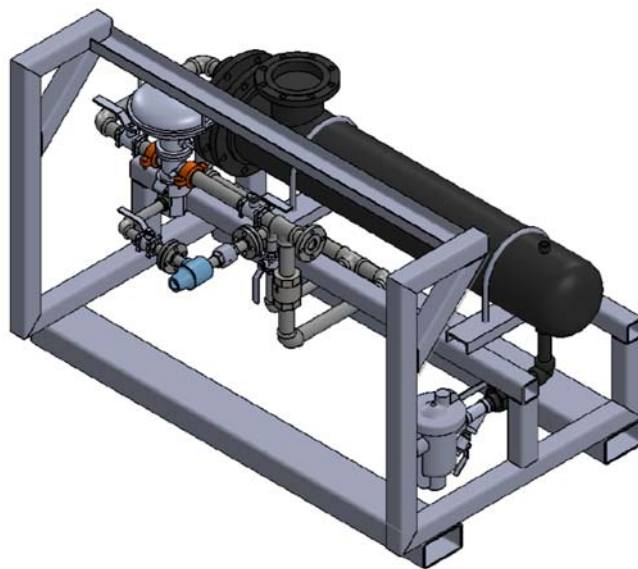


Instantaneous Water Heater

Horizontal Feed Forward steam to hot water system Maxi-Temp HFF Series

The feed forward concept is a proven technology that has been around for decades. It is simply the best combination of reliability and cost for domestic or process hot water applications.

- ⇒ No need for pressure reducing station with related vent to atmosphere
- ⇒ Can work against some condensate backpressure without condensate pump
- ⇒ Affordable double wall construction available
- ⇒ Various flow and temperature ranges available
- ⇒ Small footprint
- ⇒ Tubes standard material is copper but 90/10 CuNi and SS304L/316L also available
- ⇒ No fancy controls required (no electric or pneumatic controls)
- ⇒ No steam or condensate control valve required
- ⇒ Connections provided for easy in-place tube cleaning



Ideal for demanding applications like Clean In Place (CIP) hoses and washers or any type of domestic hot water application where the load changes very quickly.

Available as a factory-skidded system or as loose parts for retrofit projects.

Visit our website (www.maxi-therm.net) to find your local exclusive representative.

Maxi-Therm, Inc.

Phone: 514-351-1001

Email: info@maxi-therm.net

www.maxi-therm.net

